

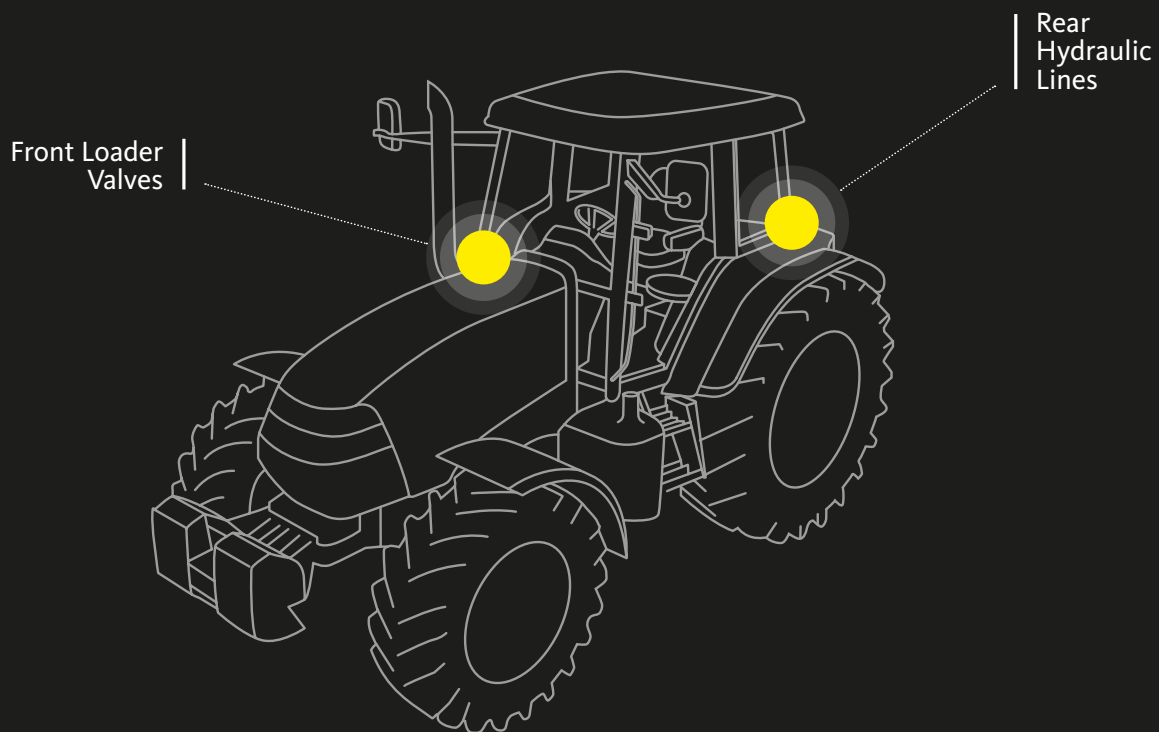


Hidrotema

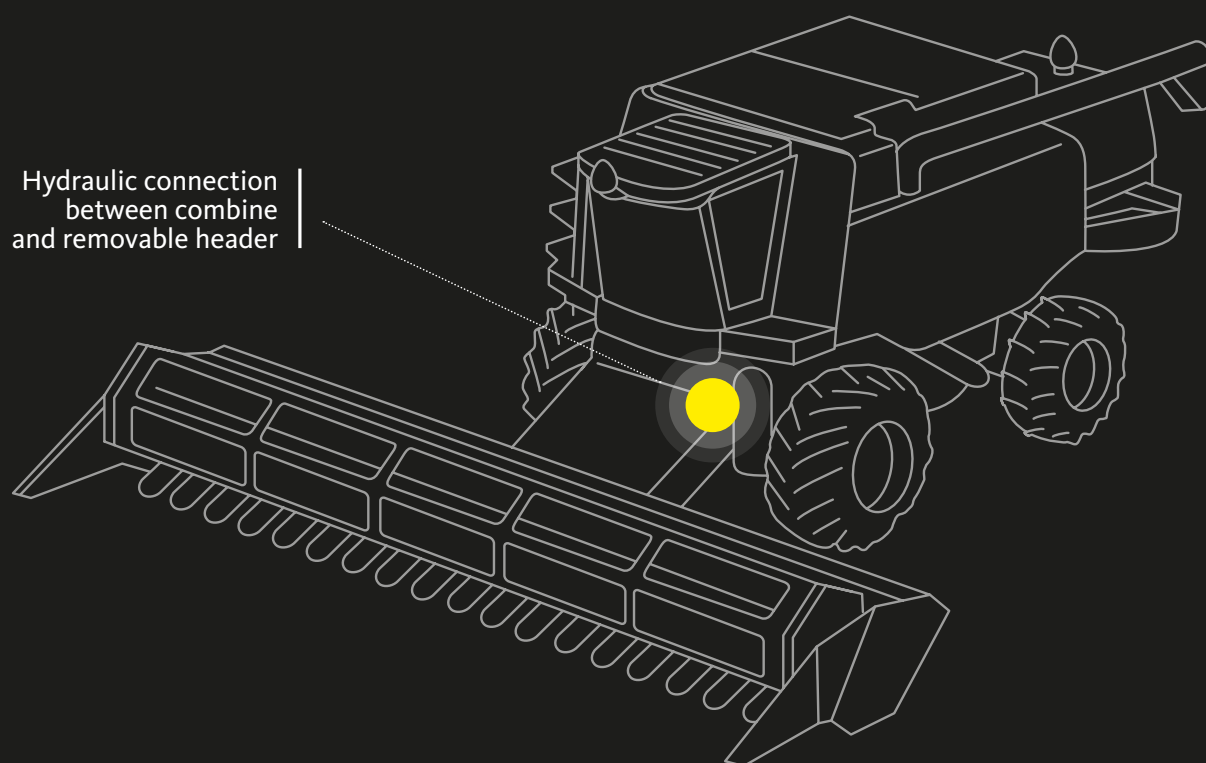
Agriculture



Tractor



Combine



ICONS LEGEND



Connection Under Pressure:
Allowed Male Half up to W.P.



Connection Under Pressure:
Allowed Both Halves



Connection Under Pressure:
Allowed Residual



Connection and disconnection
Under Residual Pressure both halves



Connection Under Pressure:
Allowed Male Half up to W.P.



Connection Under Pressure:
Not Allowed

Rear Hydraulic Lines

Lines to connect the hydraulic circuit to rear attachments, in order to power them. Some attachments may also require the «power beyond» configuration. Oil flows from the female couplings on the tractor to the male on the attachment, and returns.



Single Couplings

- **SLEEVE RETRACTION**
- **PUSH - PULL**
- **HIGH FLOW**

Faster offers a wide variety of couplings specifically designed for agriculture.

All single couplings solutions for agriculture are size 1/2" and interchangeable according to ISO 7241 part A.

Standard features for the Agriculture range are: carbon steel as material, CrIII as surface treatment, poppet valve and a maximum operating pressure of 25 MPa.

Sleeve Retraction

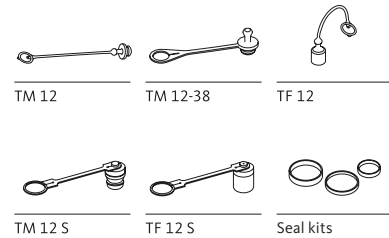


NV |  |



Male and Female couplings with poppet valve shut-off system.
Flow rate @ 0.2 MPa: 75 l/min.

Accessories and spares

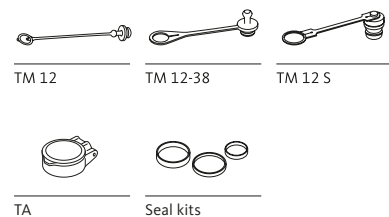


3CPV |  |



Female couplings designed for panel mounting installation and connection to flexible hoses.
Connectable with male under residual pressure.
Flow rate @ 0.2 MPa: 75 l/min.
Breakaway function.

Accessories and spares



Push-Pull



6DNPV | |



Push-Pull female couplings for rigid mounting connectable with male and female under pressure, disconnectable under pressure with low effort. Equipped with one or two oil collecting ports to collect clean oil and reduce spillage. Flow rate @ 0.2 MPa: 50 l/min.

Accessories and spares



TARV 34



Seal kits



Oil Collecting System



3CKHF



Male and female compact Push-Pull couplings for agriculture connectable with male under residual pressure.
Maximum flow rate: 250 l/min.
Reduced dimensions: 15 mm shorter.
Breakaway function.

Accessories and spares



TM 12

TM 12-38

TA



TM 12 S

TAID 12

Seal kits



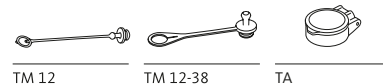
Oil Collecting System

4SKHF



Male and female compact Push-Pull couplings for agriculture connectable under residual pressure in both male and female side.
Maximum flow rate: 250 l/min.
Reduced dimensions: 15 mm shorter.
Breakaway function.

Accessories and spares



TM 12

TM 12-38

TA



TM 12 S

TAID 12

Seal kits



Oil Collecting System

Rear Hydraulic Lines

Power Beyond

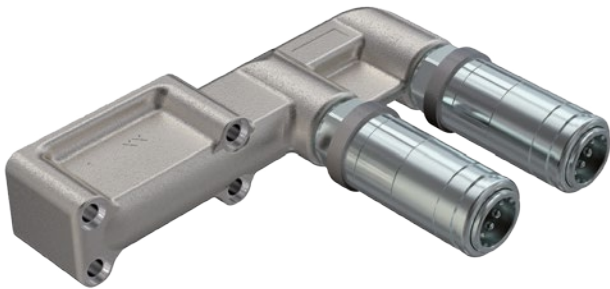
Full set of flat face couplings for Power Beyond rear attachments, sizes in accordance with class 1 to 3 of ISO 17567 standard.

Power Beyond attachments allow the tractor to receive pressure feedback from the field through load signal line, in order to adjust oil flow and optimize performances.

Castings

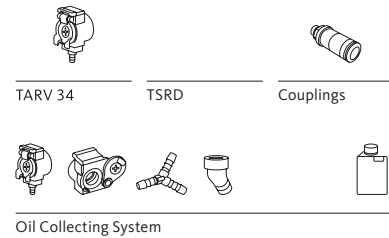


Manifold Block |



Cast iron block with 1/2" couplings screwed on.
 Flow rate @ 0,2 MPa: up to 50 l/min.
 Connection under pressure allowed depending on the mounted coupling.
 Possible configuration: 3CFPV, 4SRPV, 6DNPV and High Flow couplings.

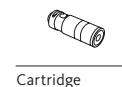
Accessories and spares



Semi Integrated Block |

Cast iron blocks equipped with two semi integrated cartridges, available both poppet valve ISO 7241 part A and flat face ISO 16028. Available size: 1/2" and 3/4". The same block is suitable for both ISO A and Flat Face cartridges, easy interchangeable to ensure flexibility. Push-pull connection. Great ease to connect and disconnect agricultural implements thanks to relief of internal residual pressure ensured by one dedicate lever for each line. Breakaway feature. Replacement of the lever does not require disassembling of the block.

Accessories and spares



Fully-integrated Cartridge



Cast iron block with integrated 1/2" cartridge.

Flow rate @ 0,2 MPa: up to 55 l/min.

Connection and disconnection under pressure allowed. Castings available with different configurations: series 4 (connection assisted by lever), series 5 (connection assisted by lever, no male depressurisation while disconnecting) and series 6 (no need of lever).

Accessories and spares



Cartridge



Mask Series 5



4BM TA D

Fully-integrated Universal Cartridge



Cast iron block with fully integrated cartridges, connection assisted by lever.

Possible to fit either poppet or flat face cartridges in 3 different sizes: 1/2", 5/8" or 3/4".

Flow rate @ 0,2 MPa: 50 l/min for size 1/2".

Connection and disconnection under pressure allowed.

Accessories and spares



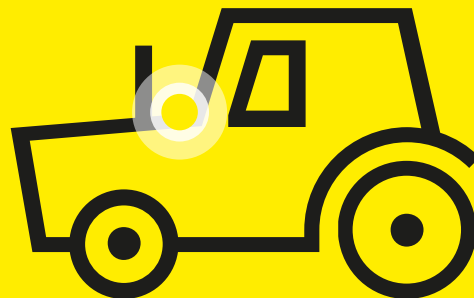
Cartridge



Dust cap

Front Loaders

Lines to connect the hydraulic circuit to front loader attachments to power them. The number of lines varies depending on the number of functions required. Very often there are also electrical connections. Multifaster are the best solution for this type of application, granting comfort and compactness.



Multifaster for Front Loaders

Multifaster are the market reference to connect multiple lines, allowing an effortless connection even with residual pressure in the system. Each product entails a different combination of elements, such as number of lines, coupling size, lever and electrical connectors. The number of lines varies according to the functions performed by the attachment. Tractor front loaders are a typical application for Multifaster.

MultiFaster



PC206



MultiFaster compact. It allows connection with mobile plate or stand-alone counterpart couplings, 2 lines size o6.

The disconnection of stand-alone counterpart couplings is made by dedicated push buttons. This feature can be extended to all MultiFaster range.

Accessories and spares



KIT3FN



Seal kits

P508



MultiFaster 4 lines, size o8.
A brand new feature added to our MultiFaster: the automatic dust cover. A new addition applied to ease and facilitate the connection, giving the user the possibility to automatically open the dust cover, adding more comfort to the manouvre. This system is patented and soon a kit with this solution will be available.

Accessories and spares



KIT3FN



KIT2FN



Seal kits

Full set of flat face couplings for Power Beyond rear attachments.
Faster offer for Power Beyond covers all ports composing the Power Beyond configuration:

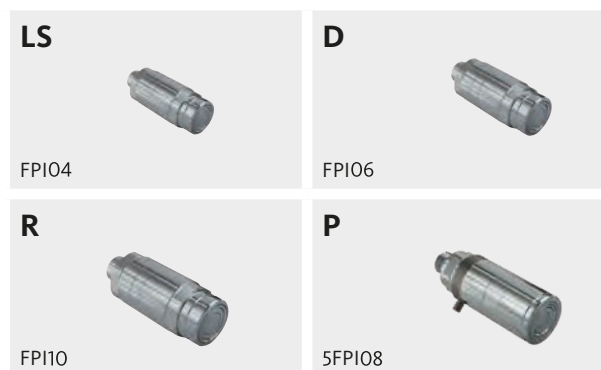
Load Signal Port	Drain Port
Return Port	Pressure Port

Sizes in accordance with class 1 to 3 of ISO 17567 standard.

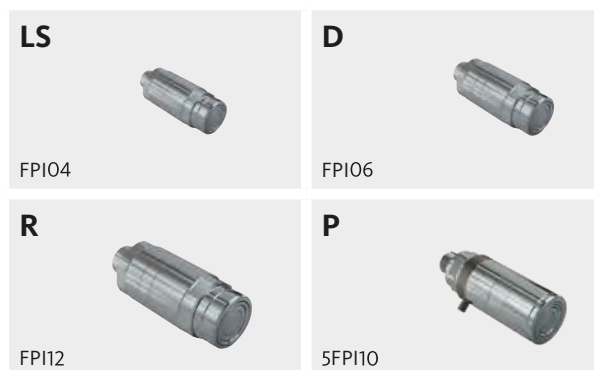
- Class 1** – Up to 45 l/min
- Class 2** – 45 to 74 l/min
- Class 3** – 74 to 100 l/min
- Class 4** – 100 to 220 l/min

Faster couplings range for Power Beyond applications

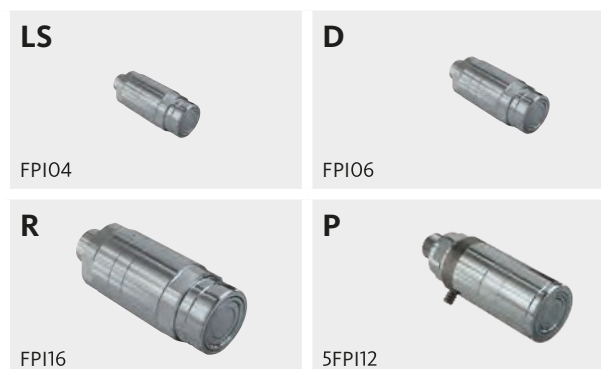
Flow Class 1
Up to 45 l/min



Flow Class 2
45 to 74 l/min



Flow Class 3
74 to 100 l/min



Flow Class 4
100 to 220 l/min



Harvester/ Combine

Combine/harvester machines combine in one single process three harvesting operations: reaping, threshing and winnowing. Combines are equipped with removable heads, each of them designed for a specific crop. Removable heads can be hydraulically connected and disconnected by simply using Multifaster.



Multifaster for Harvesting Applications

Faster offers a range of Multifaster specifically designed for harvesting applications.

Multifaster ensure a safe and quick connection and disconnection between the header and the harvester. This allows to easily dismantle and transport the harvester from one field to another. The Multifaster allows a very quick and safe connection and disconnection of the header, which can be replaced according to the operation that needs to be performed by the operator.

MultiFaster



PC206



MultiFaster compact. It allows connection with mobile plate or stand-alone counterpart couplings, 2 lines size o6.

The disconnection of stand-alone counterpart couplings is made by dedicated push buttons.

This feature can be extended to all MultiFaster range.

Accessories and spares



KIT3FN



Seal kits

P508

MultiFaster 4 lines, size o8.

A brand new feature added to our

MultiFaster: the automatic dust cover.

A new addition applied to ease and

facilitate the connection, giving the

user the possibility to automatically

open the dust cover, adding more

comfort to the manouvre.

This system is patented and soon a

kit with this solution will be available.

Accessories and spares



KIT3FN



KIT2FN



Seal kits

P608



Multifaster 6 lines, size o8.
Flow rate @ 0.2 MPa: 70 l/min.
Possible to mount 2 electrical
connectors.

Accessories and spares



KIT3FN



KIT2FN



Seal kits

PSA06



Multifaster 4 lines, size o6.
Can be connected and disconnected
both as a standard multifaster or with
single lines. Single lines identified by
switches of different colours.
Interchangeable with PSo6.
Equipped with dust cover with rolls to
ensure perfect sealing when not
connected.

Accessories and spares



KIT3FN



KIT2FN



Seal kits

MultiFaster



PLV



Multifaster 5 lines. 3 lines size o6,
2 lines size o9 , 1 housing for electrical
connector.

Working pressure 22 Mpa.

Flow rate @ 0.2 MPa: 3 lines 20 l/min,
2 lines 35 l/min.

Accessories and spares



KIT3FN



KIT2FN



Seal kits

PLK



Multifaster 5 lines. 2 lines size o6,
3 lines size o9 , 1 housing for electrical
connector.

Working pressure 25 Mpa.

Flow rate @ 0.2 MPa: 2 lines 20 l/min,
3 lines 35 l/min.

Accessories and spares



KIT3FN



KIT2FN



Seal kits

3PLX

Multiconnection 2 lines dash o4 and 2 lines dash o8, with 3 empty seats suitable for electrical connectors. Flat face couplers, CrIII plated. Plate available in two versions: aluminum natural color sandblasted finish, and black painted. Multiconnection is MARKET interchangeable, suitable for Claas combine application.

Accessories and spares



KIT3FN



KIT2FN



Seal kits

Automatic Connection

MultiFaster suitable for Harvesting, with automatic alignment system. Fixed plate designed to self-align with mobile plate to complete connection. This kind of product allows the operator to complete the connection with safety, comfort and time saving. This MultiFaster can be customized with addition of electrical connectors.

